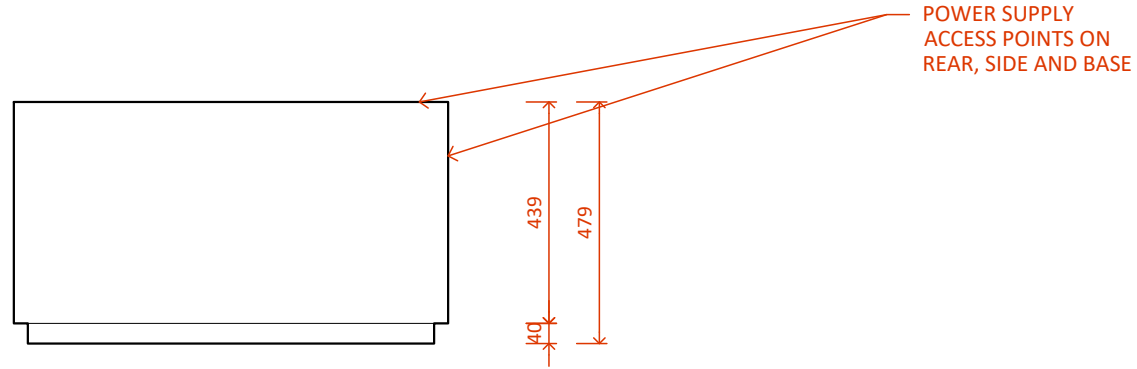


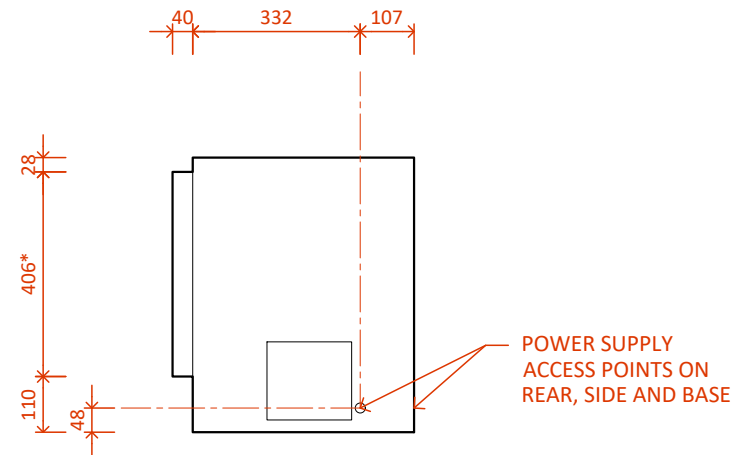
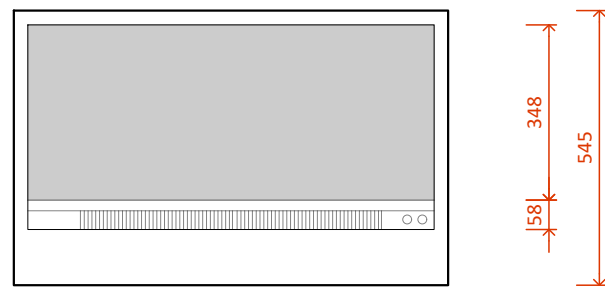
LE800 MK2 - Product Dimensions



LE800 MK2 - Plan



LE800 MK2 - Front

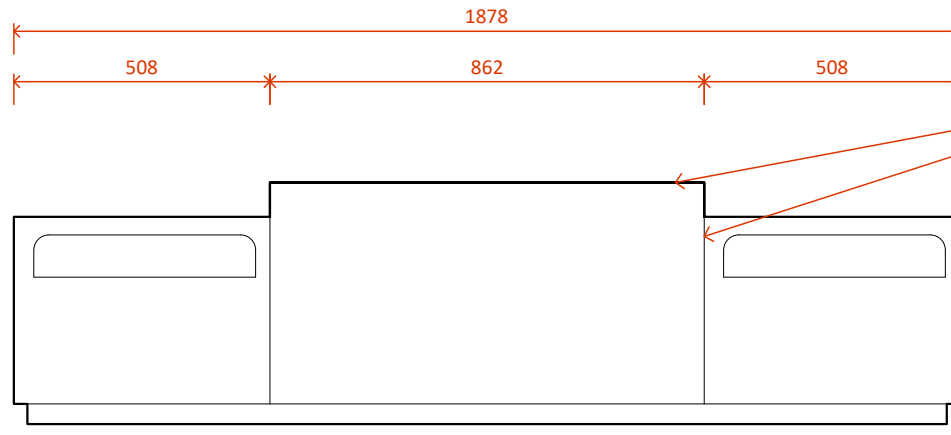


LE800 MK2 - Side

Dimensions provided may not consider all site-specific variations or installation needs. Verify dimensions on-site before manufacturing or construction.

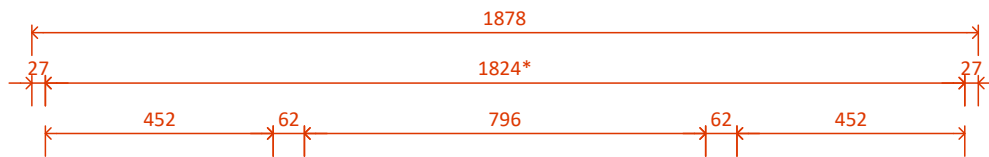
*Defines finish trim outer dimensions.
Trim Depth: 40mm
Trim Thickness: 3mm

LE800 MK2 with Double Niche - Product Dimensions

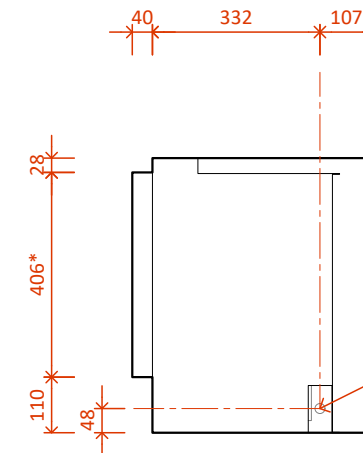


LE800 MK2 with Double Niche - Plan

POWER SUPPLY ACCESS POINTS ON REAR, SIDE AND BASE



LE800 MK2 with Double Niche - Front



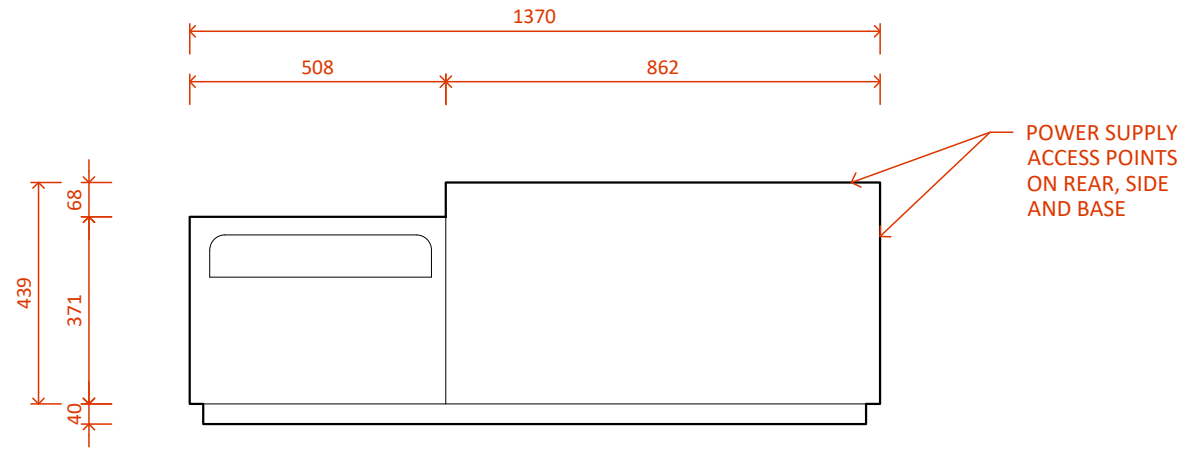
LE800 MK2 with Double Niche - Side R

POWER SUPPLY ACCESS POINTS ON REAR, SIDE AND BASE

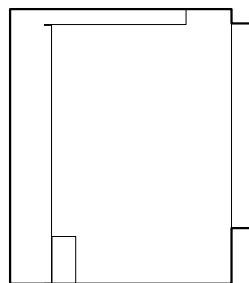
Dimensions provided may not consider all site-specific variations or installation needs. Verify dimensions on-site before manufacturing or construction.

*Defines finish trim outer dimensions.
Trim Depth: 40mm
Trim Thickness: 3mm

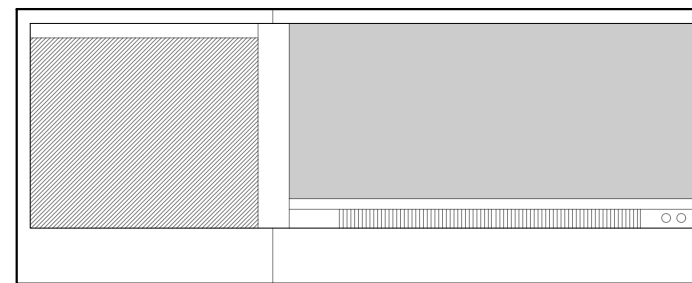
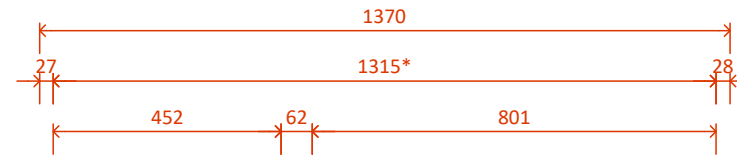
LE800 MK2 with Single Niche Left - Product Dimensions



LE800 MK2 with Single Niche Left - Plan



LE800 MK2 with Single Niche Left - Side

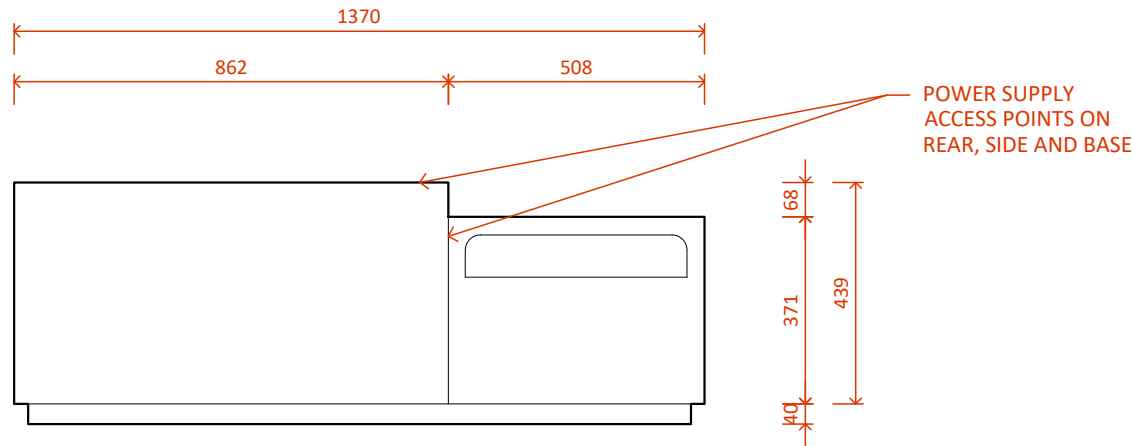


LE800 MK2 with Single Niche Left - Front

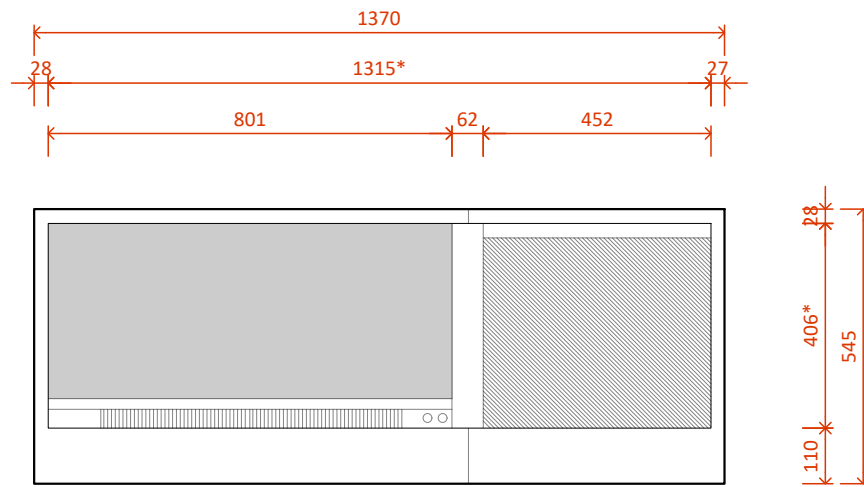
Dimensions provided may not consider all site-specific variations or installation needs. Verify dimensions on-site before manufacturing or construction.

*Defines finish trim outer dimensions.
Trim Depth: 40mm
Trim Thickness: 3mm

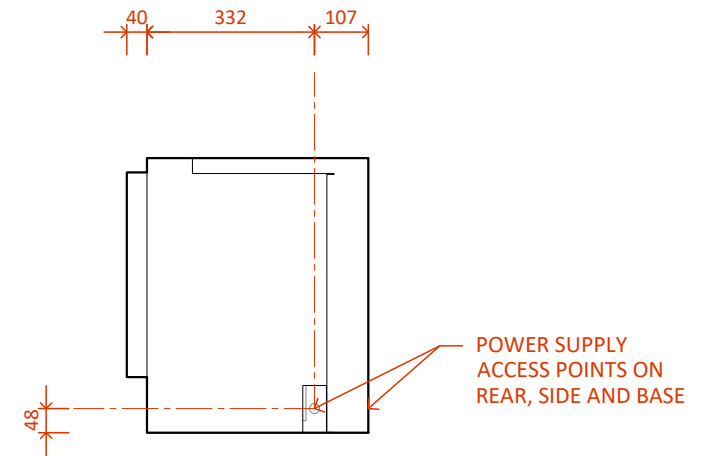
LE800 MK2 with Single Niche Right - Product Dimensions



LE800 MK2 with Single Niche Right - Plan



LE800 MK2 with Single Niche Right - Front



LE800 MK2 with Single Niche Right - Side

Dimensions provided may not consider all site-specific variations or installation needs. Verify dimensions on-site before manufacturing or construction.

*Defines finish trim outer dimensions.
Trim Depth: 40mm
Trim Thickness: 3mm